

RETRACTABLE AWNING  
FOR RESIDENTIAL  
INSTALLATION INSTRUCTION



**CAUTION:** Sheet metal parts may have sharp edges or burs. Use care and wear appropriate protective clothing and gloves when handling parts. Failure to follow this caution could result in personal injury.

**WARNING**

Recommend at least **2 people** work together to install the awning. The hardware supplied is intended for concrete or brick wall installation.

1. Never use the awning during heavy rain, storms or frosty conditions. Please do not extend the awning when wind is above Beaufort Scale 5 or 10.7m/s (38km/h).
2. Keep flammable objects away from the awning.
3. Do not put any heavy object on the awning while the awning is extending.
4. Check the awning regular to make sure all bolts and nuts are not loosened. Should you find any loose bolts, tighten up immediately. Do not use until any repair or replacement is finished.
5. The arms have high tension cables inside the chambers. Do not try to repair or adjust the arms.
6. This awning should be installed at the height 2.5M off the deck/ground.
7. Make sure there is enough space for awning extension before installation

**CARE AND MAINTENANCE**

**FRAME**

**Cleaning:** use a mild detergent and warm water on the frames; do not use abrasive material, cleansers, chemicals, bleach or solvents on frames. Rinse with clean water. Dry thoroughly.

**Maintenance:** Frame finishes may be maintained by applying a quality auto wax after each cleaning.

**FABRIC**

**Cleaning:** Wipe up minor spot with a mild soap and a damp cloth. It is sufficient to brush off the dirt on the fabric in most cases.

**Maintenance:** Dry the fabric in the extended position when it is wet as soon as possible.

**Package**





The awning is packed in corrugated carton box with inner poly bag. The spare parts are packed in separate inner box or poly bag inside the master carton. Before assembly, identify all parts against the parts list. Do not attempt assembly if any parts are missing or damaged.







**STORAGE**

This awning should be kept away from fire and inflammable objects and should be stored in a dry place. Dry the fabric in the extended position when it is wet.

**Parts List**

For awning up to a size of 2.95mX2.5m, **two** brackets are included. For 3.5mx2.5m and 3.95mx2.5m, there are **three** brackets included.

| 2.95mX2.5m awning  | 3.5mx2.5m and 3.95mx2.5m awning  |
|--|--|
| Wall bracket X 2<br>        | Wall bracket X 3<br>        |
| Φ10mm Expanding bolt X4<br> | Φ10mm Expanding bolt X6<br> |

|   |   |
|---|---|
| M8 Retaining bolt X2<br> | M8 Retaining bolt X3<br> |
| Hand hook X 1<br>        | Hand hook X 1<br>       |
| Awning X 1<br>           | Awning X 1<br>          |
| Instruction Manual X 1  | Instruction Manual X 1  |

The installation should be carried out by professional!

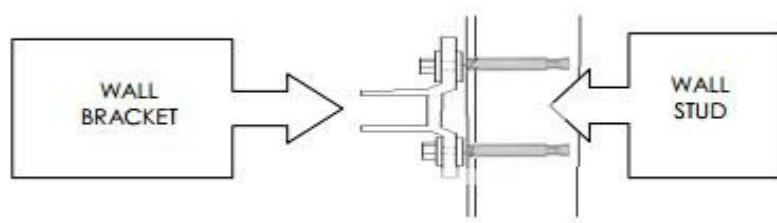
**Warning!** Incomplete fasteners will weaken the product strength and cause potential danger.

#### Tools required

- 1pcs power drill
- 1pcs  $\Phi 14$ mm Masonry drill bit
- 1pcs Spirit level
- 1pcs Adjustable spanner
- 1pcs Stud finder

#### Installing wall bracket to concrete surfaces

- Place a safe ladder on a flat, dry, stable surface at both end of where the awning will be installed
- Using a chalk-line and a string level mark a horizontal line at your chosen height above the patio
- Using a stud finder, mark the center of all the studs along the line where the awning will be installed. Failure to center bolts in structural studs will cause premature failure and result in awning collapse and possible injury
- Mark both ends of where the awning will be installed on that line.
- There should be one bracket close to lateral arms and then distribute the rest of the brackets evenly spaced across the awning torsion bar.
- For concrete surfaces, use a 14mm masonry bit to drill 80mm deep holes into surfaces. Insert two  $\Phi 10$ mm expanding bolts, then install washers and fully tighten the nuts.
- Repeat the process for remaining brackets. (see below drawing)

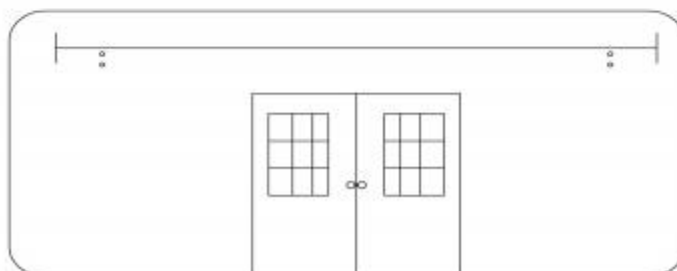
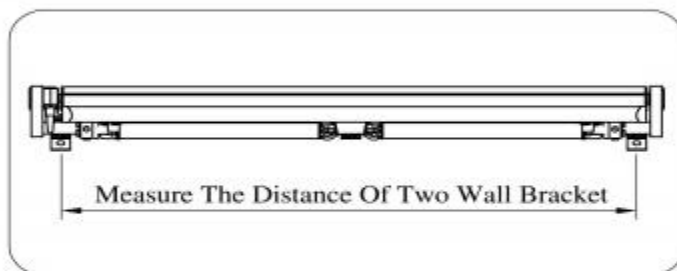
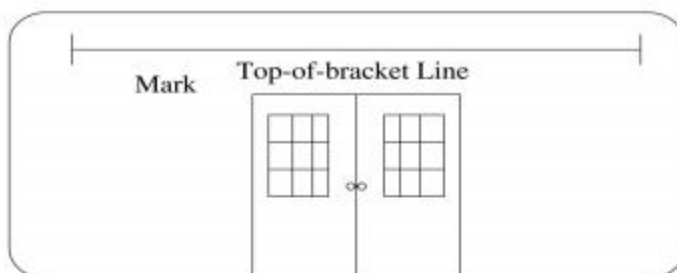
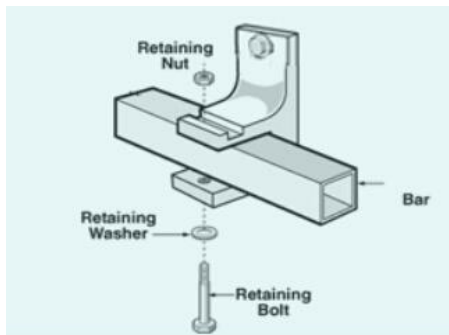


#### Installing the awning onto the brackets

- Assure that the awning is in the closed position and the arms are tied closed. This will prevent the unit from inadvertently opening while being lifted into the brackets.
- With the help, lift the awning to brackets and slip the torsion bar into brackets. Make sure the

torsion bar slides all the way to the back of the bracket. Then slide the retaining bolts into the brackets. Center the unit as needed then tighten the nuts on the retaining bolts.

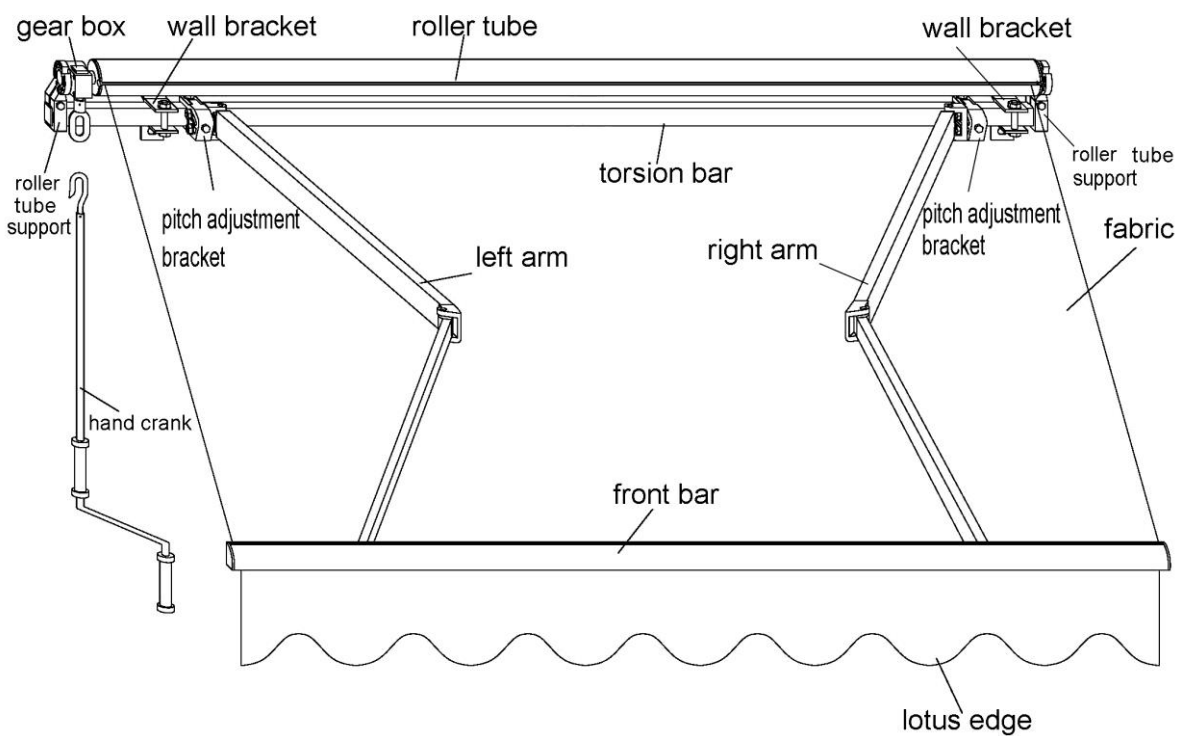
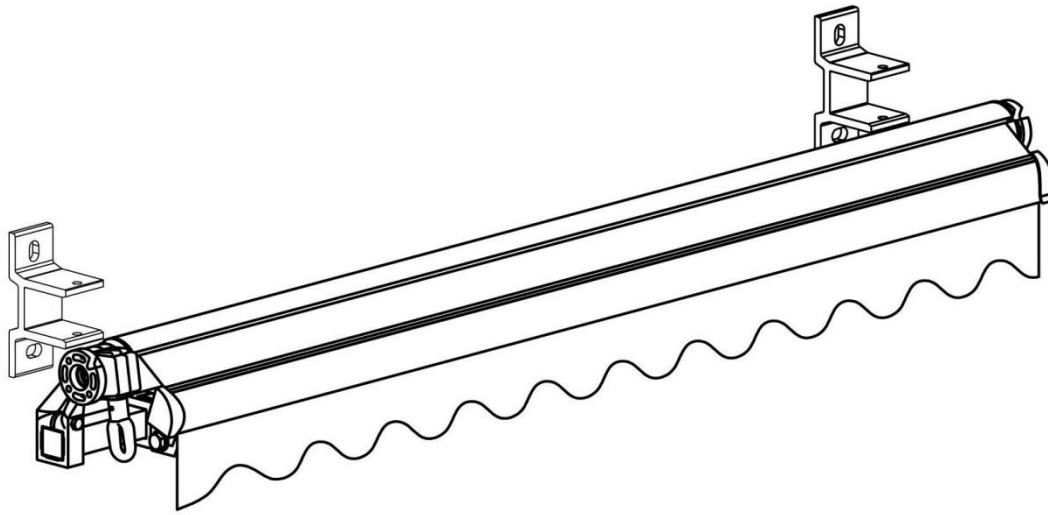
- If the torsion bar does not easily slip into the brackets, make sure the torsion bar is held in place and lift or lower the front bar slightly till it is horizontal with the torsion bar. You may need to loosen the brackets slightly to accomplish this lift.
- Once fully secure, retighten the nuts on the brackets. (see below drawing)



**OPERATION:**

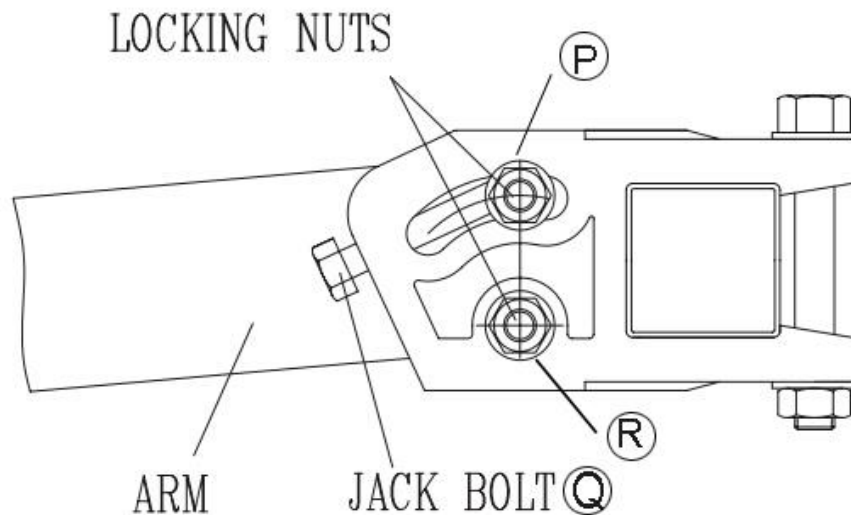
Turn the hand hook to retract or extend the awnings as your requirement.

Warning: Stop retracting the awning with excessive forces if already fully retracted.



### Pitch adjustment

- Setting the pitch if needed. We have taken great care to align properly your awning in our factory. If needed, firstly extend awning fully, loosen the top bolt (P) and bottom bolt(R) (do not remove them, just allow them to be moved) on the bracket at both ends.
- Have your helper hold the front end of the awning. Turn bolt (Q) counter-clock-wise to lower the pitch and
- Clock-wise to raise the pitch on both ends. If the front bar is lower on one side, simply loosen (P) on the opposite side bracket and make the appropriate adjustment to (Q). After you are happy with results retighten (P). See diagram below



### Warranty

1. The purchaser must use care in installation, maintenance, operation, use and storage of the product in accordance with the instructions contained in the manual. Any failure to install, maintain, operate, use and store the product in accordance with the instructions contained in this manual will nullify and relieve us under this warranty.
2. Promptly notify us any claims
3. The purchaser may be required to provide a photograph of any defective parts.
4. Should the purchaser promptly notify us within one year (12 months) from the date of the original purchase for any manufacturing defects, the defective component will be replaced at no charge. We reserves the right to ask for the defective part to be returned and /or photos of the defective part.

COVERED COMPONENTS: for retractable awning

**Structural support**, all supporting components (excluding arms and their fittings) are warranted not to fail one year provided that the components are not subjected to excessive winds or water pooling on the fabric.

**Front bar** is warranted against any and all damage including cracking and permanent bowing that would affect the performance of the awning provided that the awning is not subjected to excessive winds or water pooling on the fabric.